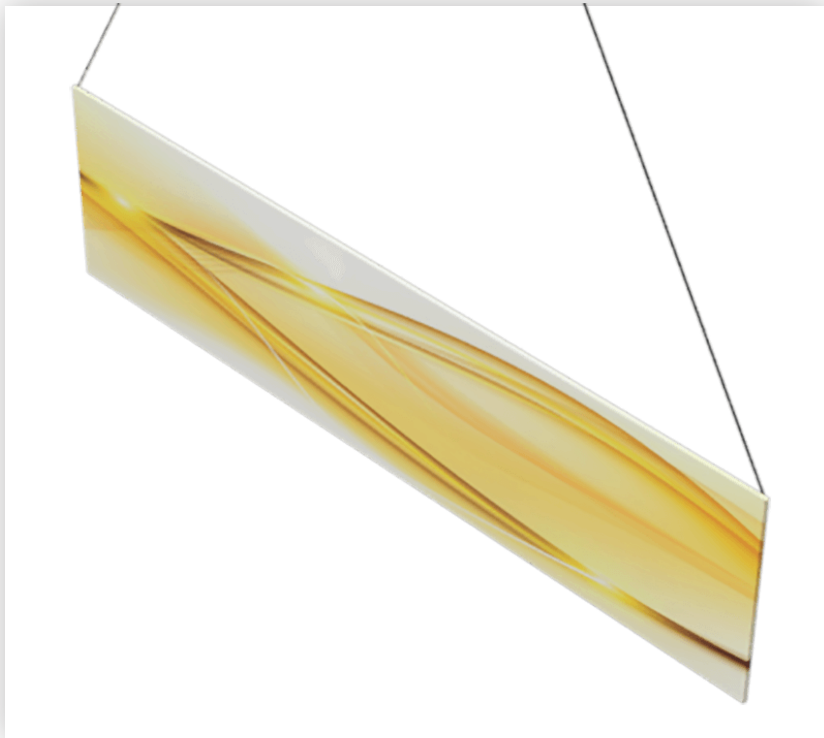
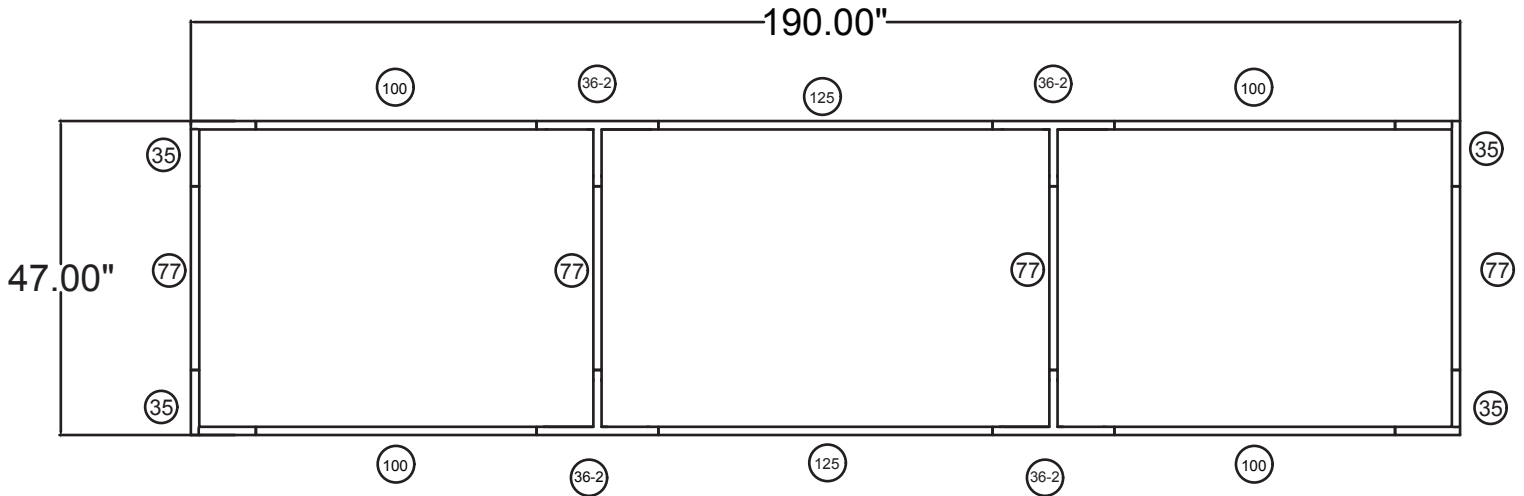


WAVELINE®

16'w x 4'h WL Hanging Sign



FHS1648

16'w x 4'h WL Hanging Sign	
Qty.	Part Number
4	WLM#035
4	WLM#077
4	WLM#100
2	WLM#125
4	WLM#036-2-US
1	BGO-FABRIC-L bag

Notes:

- * Does not include Hanging Cables
- * will fit inside CA600 or CA900 case